

# Subsea Hydraulic Directional Control Valves

## Features

- ⦿ Working pressure up to 15,000 psig (1034 bar)
- ⦿ Pilot working pressure: 3,000 psig (207 bar)
- ⦿ Maximum external pressure: 6,000 psig (414 bar)
- ⦿ NBR O-ring for operation from -10 to 250°F (-23 to 121°C); other O-ring materials available
- ⦿ High tensile 316 stainless steel for valve body
- ⦿ NBR O-rings seal provides excellent oil resistance
- ⦿ Easy to connect, switch off and reverse between different flow channels
- ⦿ Hydraulic remote control for easy operation
- ⦿ Bolt connection for easy disassembly and maintenance
- ⦿ Low impact performance to maximize cycle life
- ⦿ Suitable for application with oil or water
- ⦿ Orifice size: 0.25", 0.375"
- ⦿ Maximum water depth: 13,800 ft. (4200 m)



Fittings

Tubing

Quick Couplings

Line Filters

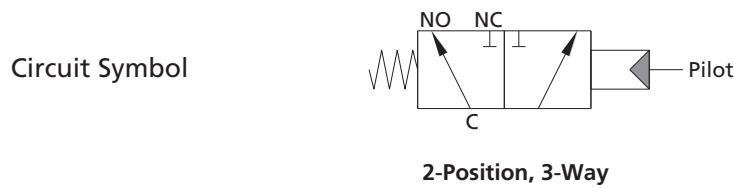
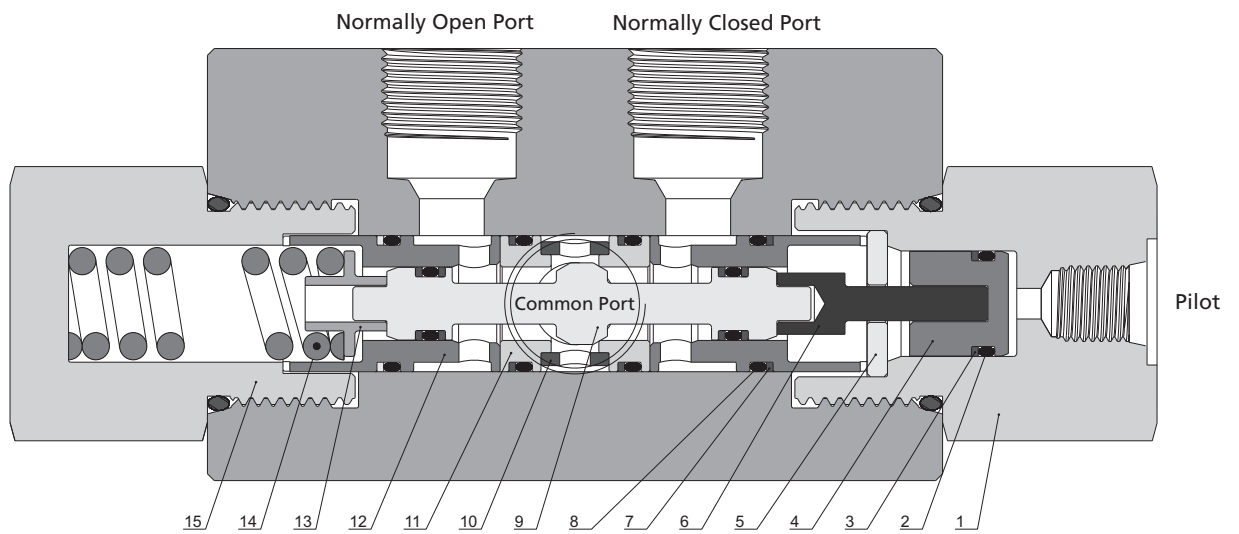
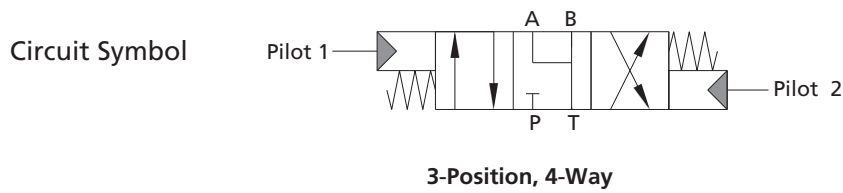
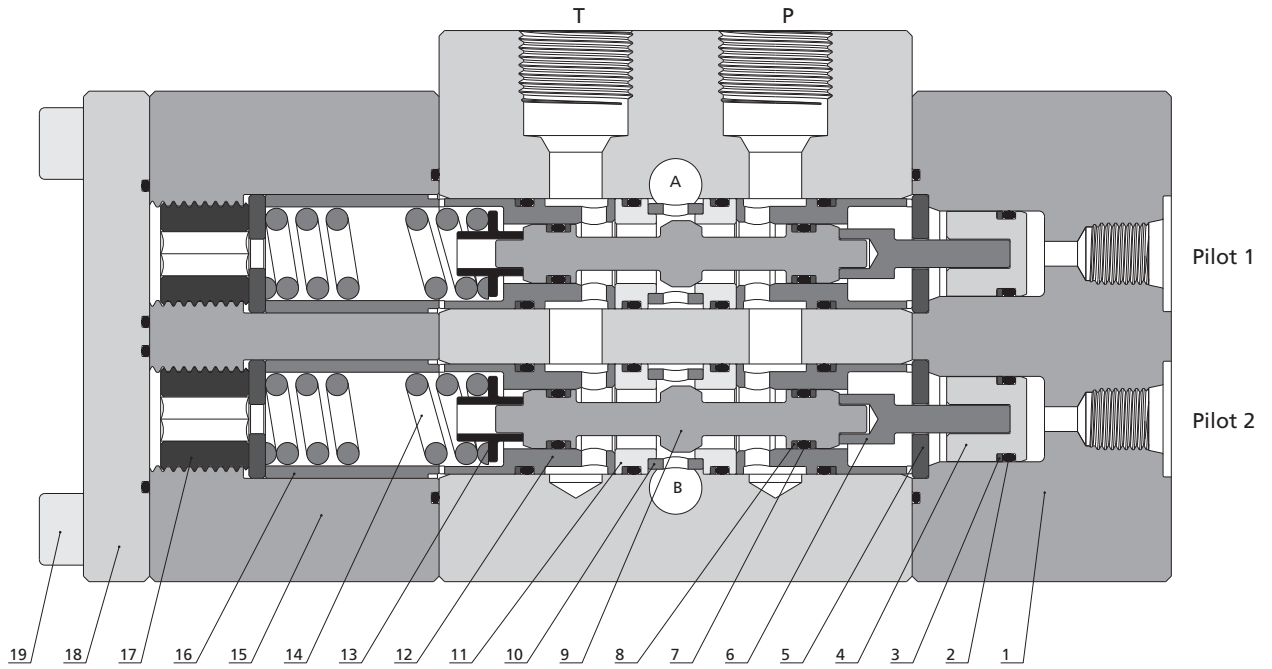
Valves

Sour Service  
Products

Subsea Valves

Part Number  
Crossover Charts

## Standard Materials of Construction



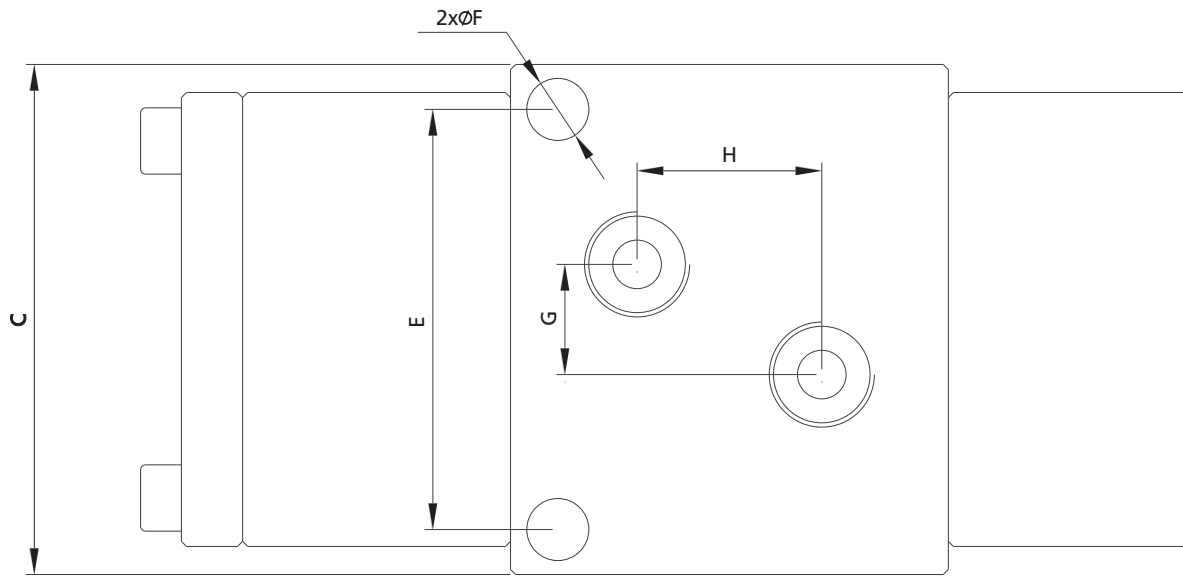
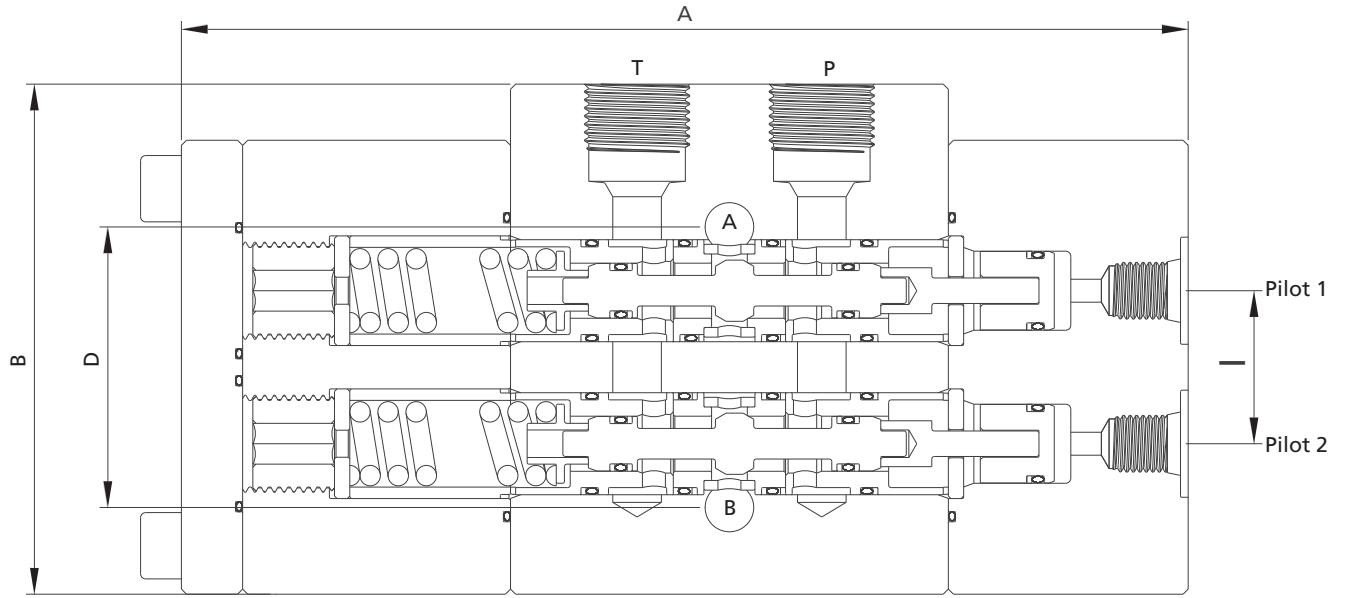
- Fittings
- Tubing
- Quick Couplings
- Line Filters
- Valves
- Sour Service Products
- Subsea Valves
- Part Number Crossover Charts

Item	Component	Material Grade
1	Gland	F316
2	O-Ring	NBR
3	Retaining Ring	PTFE
4	Piston	316 SS
5	Gasket	316 SS
6	Connection Block	316 SS
7	<i>O-Ring</i>	<i>NBR</i>
8	<i>Retaining Ring</i>	<i>PEEK</i>
9	<i>Stem</i>	<i>S17400</i>
10	<i>Pad</i>	<i>S17400</i>
11	<i>Seat</i>	<i>316 SS</i>
12	<i>Bush</i>	<i>S17400</i>
13	Connection Block	316 SS
14	Spring	S17700
15	Gland	F316
16	Bush	S17400
17	Screw	316 SS
18	Gland	F316
19	Locking Screw	316 SS

*Wetted components listed in italics.*

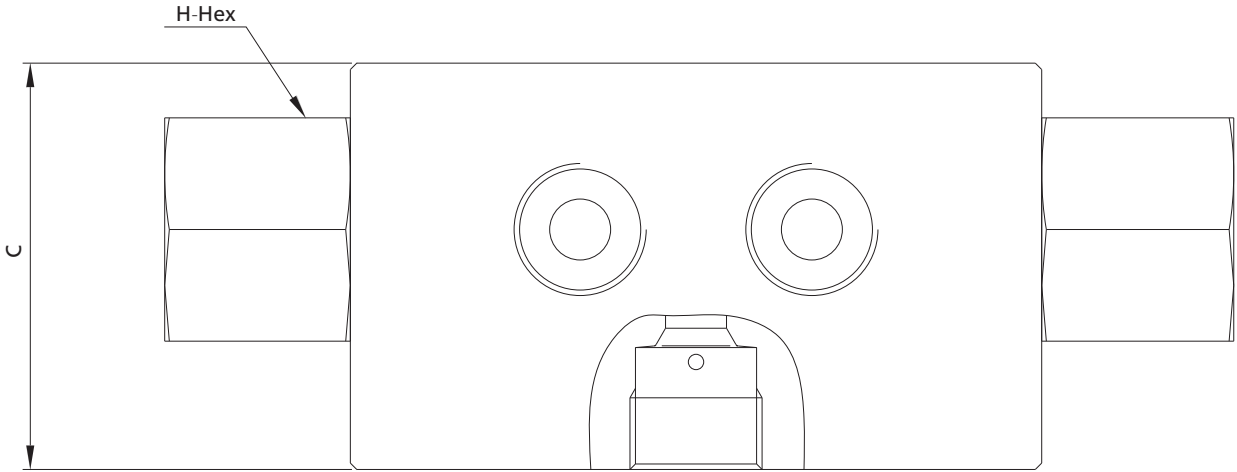
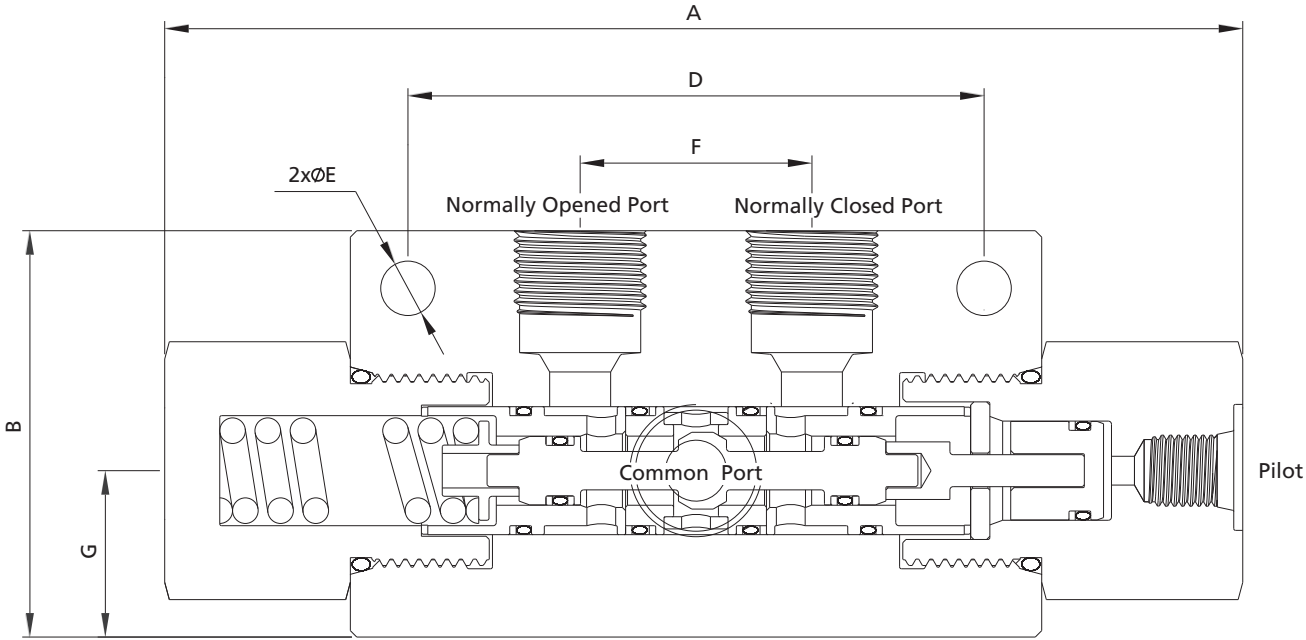
Fittings
Tubing
Quick Couplings
Line Filters
Valves
Sour Service Products
Subsea Valves
Part Number Crossover Charts

## Ordering Information and Dimensions



3-Position, 4-Way

Ordering Number	Dimensions, in. (mm)										Working Pressure psig (bar)
	A	B	C	D	E	F	G	H	I	Orifice	
15SDCSS-3P4W-MF9-US7	6.70 (170.3)	3.50 (88.9)	3.50 (88.9)	1.74 (44.2)	2.82 (71.1)	0.41 (10.5)	0.76 (19.4)	1.13 (28.6)	1.00 (25.4)	0.25 (6.35)	15,000 (1034)
15SDCSS-3P4W-MF9-6-US7	7.20 (183)	3.54 (90)	3.74 (95)	1.26 (32)	3.19 (81)	0.33 (8.5)	1.02 (26)	1.10 (28)	1.10 (28)	0.375 (9.53)	

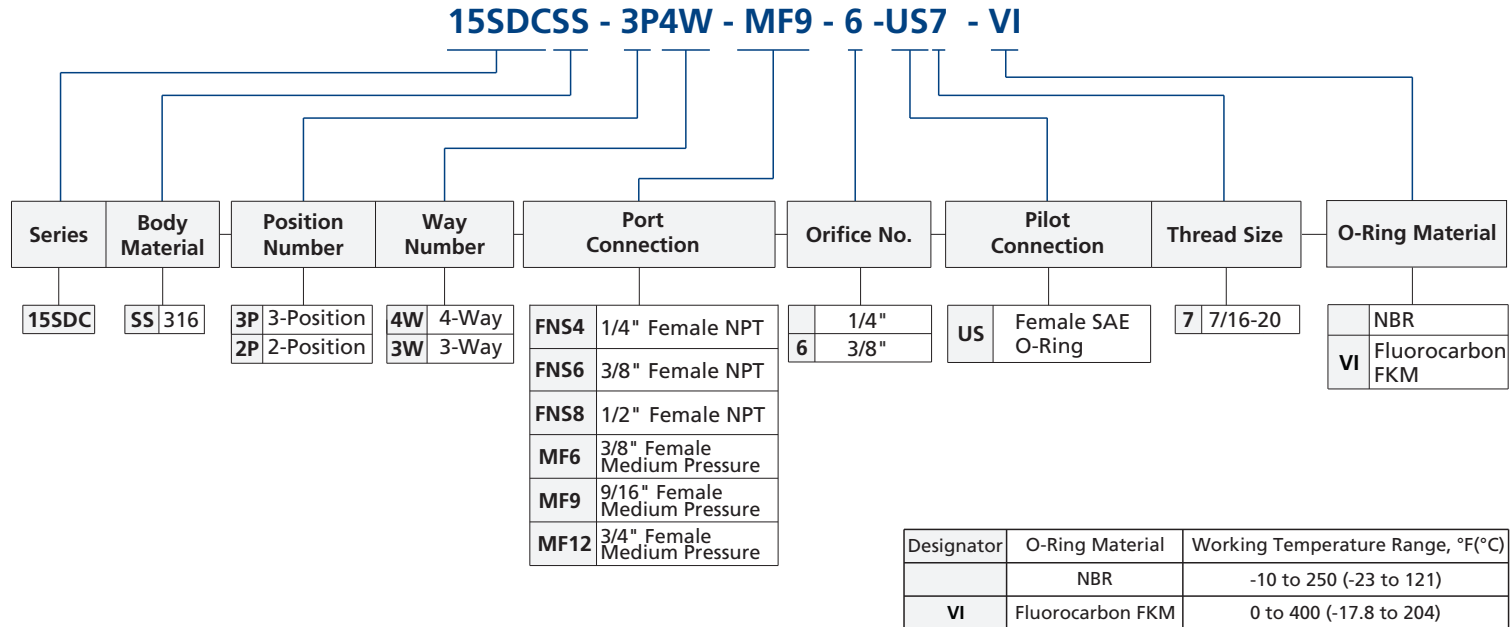


2-Position, 3-Way

Ordering Number	Dimensions, in. (mm)									Working Pressure psig (bar)
	A	B	C	D	E	F	G	H	Orifice	
15SDCSS-2P3W-MF9-US7	6.40 (162.5)	2.56 (65)	2.56 (65)	3.70 (94)	033 (8.5)	142 (36)	1.02 (26)	163 (41.28)	025 (6.35)	15,000 (1034)
15SDCSS-2P3W-MF9-6-US7	6.40 (162.5)	2.56 (65)	2.56 (65)	3.70 (94)	0.33 (8.5)	142 (36)	102 (26)	163 (41.28)	0375 (9.53)	

- Fittings
- Tubing
- Quick Couplings
- Line Filters
- Valves
- Sour Service Products
- Subsea Valves
- Part Number Crossover Charts

## Ordering Number Description



Notes: 1. For more details regarding Medium Pressure connection, please see **Connection Information** on A-02.

2. "Ordering Number Description" is a reference to understand the combination rules of FITOK product part number.

Not all combinations are available.