

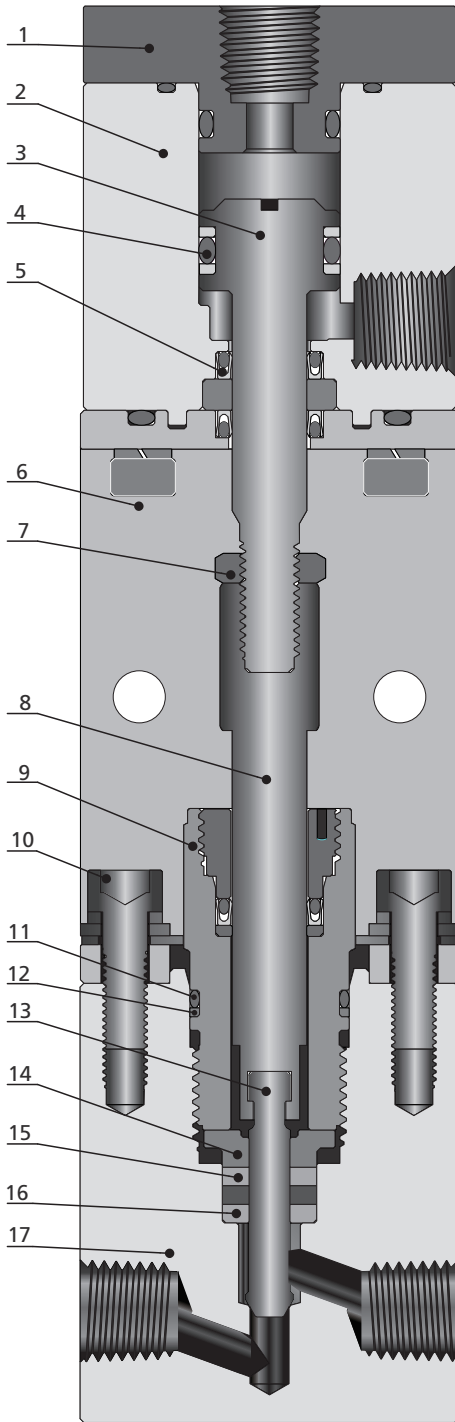
# Subsea Hydraulic Needle Valves

## Features

- ⦿ Working pressure up to 20,000 psig (1379 bar)
- ⦿ Maximum external pressure: 6,000 psig (414 bar)
- ⦿ Hydraulic supply pressure: 3,000 psig (207 bar)
- ⦿ Working temperature: 0 to 175°F (-18 to 80°C)
- ⦿ High tensile 316 stainless steel for valve body
- ⦿ Standard stem seal material: PTFE
- ⦿ NACE MR0175 optional
- ⦿ Metal-to-metal seating to ensure ideal shut-off, longer stem/seat service lifetime for abrasive flow, excellent corrosion resistance and greater durability for repeated on/off cycles
- ⦿ Reliable packing gland locking device
- ⦿ Wide selection of tube and pipe end fittings available
- ⦿ 2-way straight and angle flow patterns available
- ⦿ Orifice: 0.203"
- ⦿ Rated Cv: 0.75
- ⦿ Maximum water depth: 13,800 ft. (4200 m)



## Standard Materials of Construction

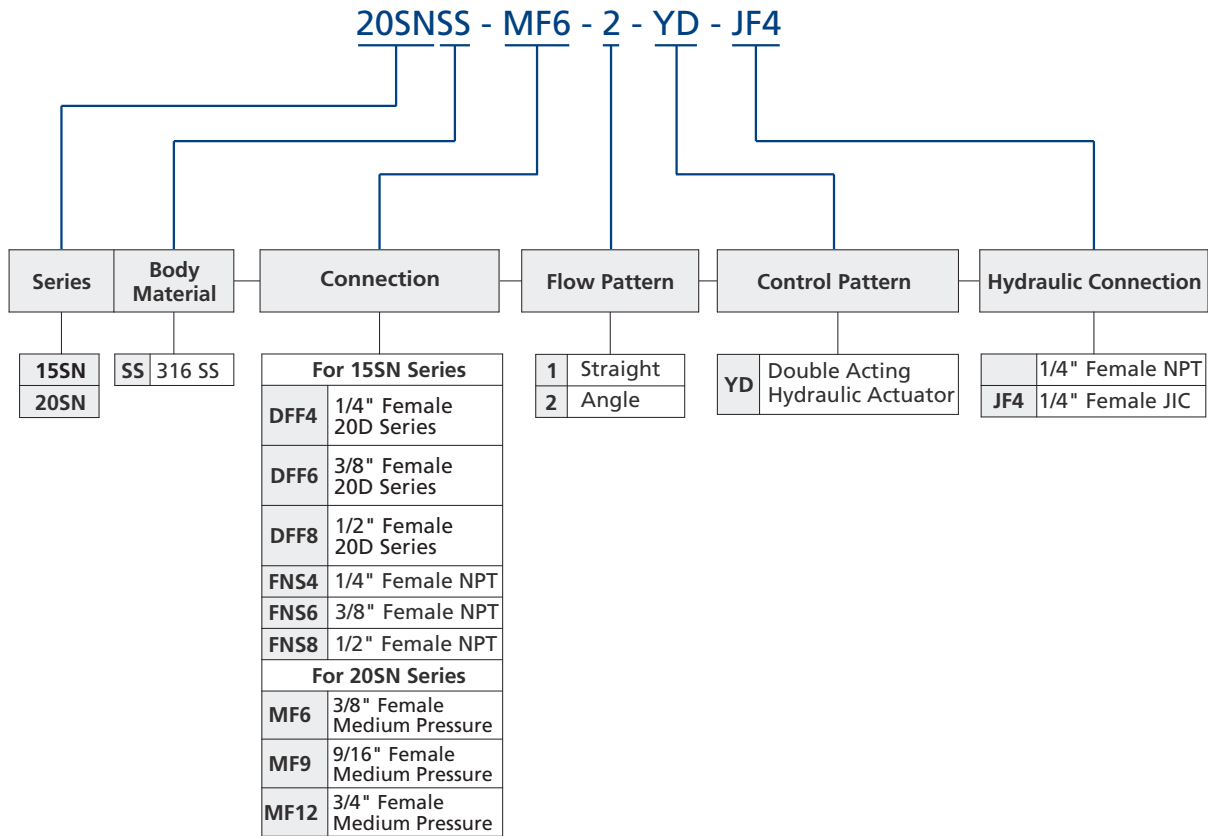


Item	Component	Material Grade
1	Gland	316 SS
2	Actuator Body	316 SS
3	Piston Rod	316 SS
4	O-Ring	Fluorocarbon FKM
5	Piston Seal	UHMWPE
6	Support Block	316 SS
7	Nut	Stainless Steel
8	Upper Stem	316 SS
9	Packing Gland	316 SS
10	Locking Screw	SS
11	O-Ring	NBR
12	O-Ring Retainer	PTFE
13	<i>Lower Stem</i>	<i>S17400</i>
14	Packing Ring	C63000
15	<i>Packing</i>	<i>PTFE</i>
16	<i>Packing Washer</i>	<i>S17400</i>
17	<i>Body</i>	<i>316 SS</i>

*Wetted components listed in italics.*

Fittings
Tubing
Quick Couplings
Line Filters
Valves
Sour Service Products
Subsea Valves
Tools and Installation Instructions
Technical Information
Part Number Crossover Charts

## Ordering Number Description



NOTES: 1. For more details regarding 20D Series and Medium Pressure connections, please see **Connection Information** on I-02.  
 2. "Ordering Number Description" is a reference to understand the combination rules of FITOK product part number.  
 Not all combinations are available.