

# Subsea Check Valves

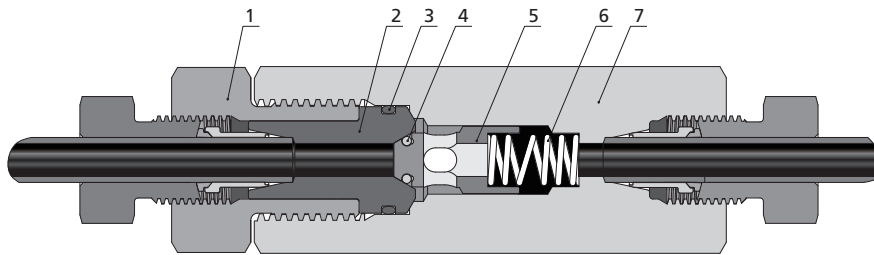
## Features

- Working pressure up to 20,000 psig (1379 bar)
- Maximum external pressure: 6,000 psig (414 bar)
- Cracking pressure: 14 to 26 psig (0.966 to 1.794 bar)
- NBR O-ring for operation from -10 to 250°F (-23 to 121°C); other O-ring materials available
- High tensile 316 stainless steel for valve body
- NACE MR0175 optional
- Provides unidirectional flow and tight shut-off for liquids and gases with high reliability. When differential drops below cracking pressure, valve shuts off (Not for use as relief valve)
- Soft seat seal ring style or metal-to-metal seat poppet style available
- Maximum water depth: 13,800 ft. (4200 m)



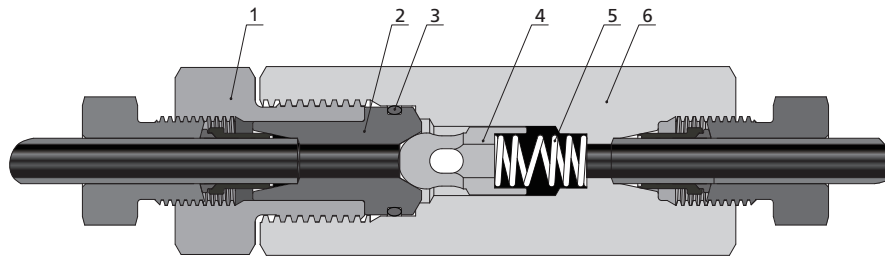
## Standard Materials of Construction

### SC Series



Item	Component	Material Grade
1	Cover Gland	316SS
2	Cover	316SS
3	Seal Ring	NBR
4	Seal Ring	NBR
5	Ball Poppet	316SS
6	Spring	304SS
7	Valve Body	316SS

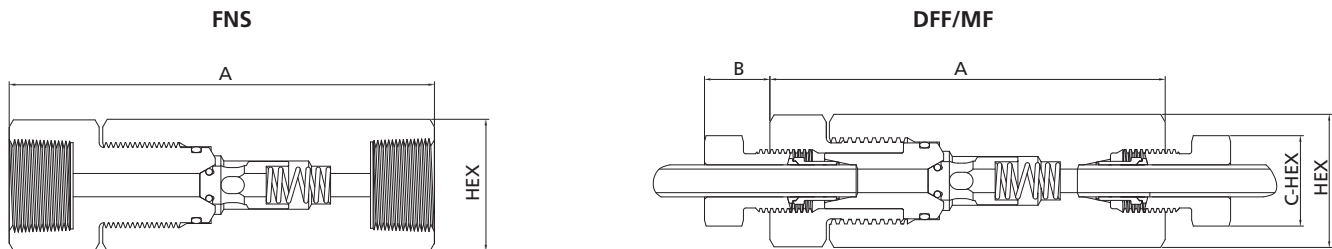
SCO Series



Item	Component	Material Grade
1	Cover Gland	316SS
2	Cover	316SS
3	Seal Ring	NBR
4	Ball Poppet	316SS
5	Spring	304SS
6	Valve Body	316SS

Wetted components listed in italics.

Ordering Information and Dimensions



Ordering Number	Connection	Orifice Size in. (mm)	Cv	Dimensions, in. (mm)				Working Pressure psig (bar)
				A	B	C-HEX	HEX	
10SCSS-FNS12	FNS12	0.52 (13.21)	4.70	6.11 (155.19)	—	—	1.75 (44.45)	10,000 (690)
10SCSS-FNS16	FNS16	0.69 (17.53)	7.40	7.32 (185.93)	—	—	1.88 (47.75)	
10SCOSS-FNS12	FNS12	0.52 (13.21)	4.70	6.11 (155.19)	—	—	1.75 (44.45)	
10SCOSS-FNS16	FNS16	0.69 (17.53)	7.40	7.32 (185.93)	—	—	1.88 (47.75)	
15SCSS-DFF4	DFF4	0.188 (4.78)	0.63	3.43 (87.12)	0.52 (13.21)	0.63 (16.00)	0.81 (20.57)	15,000 (1034)
15SCSS-DFF6	DFF6	0.250 (6.35)	1.70	3.82 (97.03)	0.53 (13.46)	0.75 (19.05)	1.00 (25.40)	
15SCSS-DFF8	DFF8	0.375 (9.53)	3.40	4.55 (115.57)	0.60 (15.24)	0.93 (23.62)	1.38 (35.05)	
15SCOSS-DFF4	DFF4	0.188 (4.78)	0.63	3.43 (87.12)	0.53 (13.46)	0.63 (16.00)	0.81 (20.57)	
15SCOSS-DFF6	DFF6	0.250 (6.35)	1.70	3.82 (97.03)	0.53 (13.46)	0.75 (19.05)	1.00 (25.40)	
15SCOSS-DFF8	DFF8	0.375 (9.53)	3.40	4.55 (115.57)	0.60 (15.24)	0.93 (23.62)	1.38 (35.05)	
15SCSS-FNS4	FNS4	0.12 (3.05)	0.28	3.43 (87.12)	—	—	0.94 (23.81)	

Fittings

Tubing

Quick Couplings

Line Filters

Valves

Sour Service Products

Subsea Valves

Tools and Installation Instructions

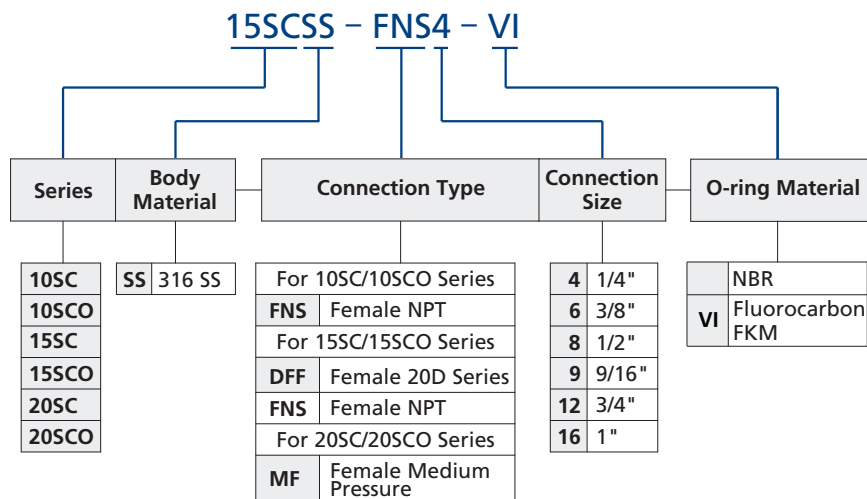
Technical Information

Part Number Crossover Charts

## Ordering Information and Dimensions (continued)

	Ordering Number	Connection	Orifice Size in. (mm)	Cv	Dimensions, in. (mm)				Working Pressure psig (bar)
					A	B	C-HEX	HEX	
Fittings									
Tubing	15SCSS-FNS6	FNS6	0.22 (5.59)	0.84	3.82 (97.03)	—	—	1.13 (28.58)	15,000 (1034)
	15SCSS-FNS8	FNS8	0.36 (9.12)	2.30	4.55 (115.57)	—	—	1.38 (35.05)	
	15SCOSS-FNS4	FNS4	0.12 (3.05)	0.28	3.43 (87.12)	—	—	0.94 (23.81)	
Quick Couplings	15SCOSS-FNS6	FNS6	0.22 (5.59)	0.84	3.82 (97.03)	—	—	1.13 (28.58)	
	15SCOSS-FNS8	FNS8	0.36 (9.12)	2.30	4.55 (115.57)	—	—	1.38 (35.05)	
Line Filters	20SCSS-MF4	MF4	0.125 (3.18)	0.28	2.94 (74.68)	0.38 (9.65)	0.50 (12.70)	0.81 (20.57)	
	20SCSS-MF6	MF6	0.218 (5.54)	0.84	3.34 (84.84)	0.44 (11.18)	0.62 (15.75)	1.00 (25.40)	
	20SCSS-MF9	MF9	0.359 (9.12)	2.30	4.35 (110.49)	0.55 (13.97)	0.94 (23.81)	1.38 (35.05)	
	20SCSS-MF12	MF12	0.516(13.11)	4.70	5.50 (139.70)	0.62 (15.75)	1.19 (30.23)	1.75 (44.45)	
	20SCSS-MF16	MF16	0.688(17.48)	7.40	7.07 (179.59)	0.74 (18.80)	1.38 (35.05)	2.12 (53.85)	
	Valves	20SCOSS-MF4	MF4	0.125 (3.18)	0.28	2.94 (74.68)	0.38 (9.65)	0.50 (12.70)	0.81 (20.57)
20SCOSS-MF6		MF6	0.218 (5.54)	0.84	3.12 (79.25)	0.47 (11.94)	0.62 (15.75)	1.00 (25.40)	
Sour Service Products	20SCOSS-MF9	MF9	0.359 (9.12)	2.30	4.18 (106.17)	0.53 (13.46)	0.94 (23.81)	1.38 (35.05)	
	20SCOSS-MF12	MF12	0.516 (13.11)	4.70	5.50 (139.70)	0.62 (15.75)	1.19 (30.23)	1.75 (44.45)	
	20SCOSS-MF16	MF16	0.688 (17.48)	7.40	6.63 (168.40)	0.72 (18.29)	1.38 (35.05)	2.12 (53.85)	

## Ordering Number Description



- NOTES: 1. For more details regarding 20D Series and Medium Pressure connections, please see **Connection Information** on I-02.
2. "Ordering Number Description" is a reference to understand the combination rules of FITOK product part number. Not all combinations are available.
3. Please contact FITOK Group or our authorized distributors for more information on wetted materials (Eg: 2507 SD), seal materials and operational designs to fulfill your application requirements.

Code	O-ring Material	Working temperature Range, °F(°C)
	NBR	-10 to 250 (-23 to 121)
VI	Fluorocarbon FKM	0 to 400 (-17.8 to 204)

Fittings  
 Tubing  
 Quick Couplings  
 Line Filters  
 Valves  
 Sour Service Products  
 Subsea Valves  
 Tools and Installation Instructions  
 Technical Information  
 Part Number Crossover Charts